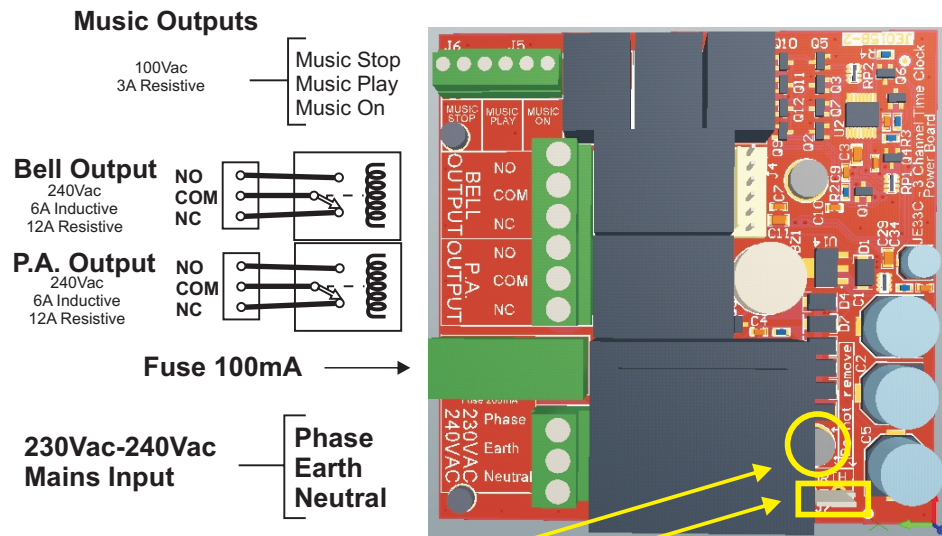


Connections

The Mains Power and Outputs connections are located on the back P.C.B.

Output connections



EARTH Screw and Cable tag provided for electrical safety DO NOT remove these under any circumstances.

INSTALLATION NOTES:

The 230Vac input **MUST** be connected directly to a switchboard and protected with its own MCB, 1P, 10kA, 1A breaker similar to Merlin Gerin C60HC101.

Please take note of the output relay contact ratings take a measurement of the total system current before connecting the JE33C. If there is an excess of current a contactor should be fitted.

Music Outputs are rated to 3A, 100Vac only, **DO NOT** connect 240Vac to these outputs, they are designed to be connected to a CD player or Mp3 player. The Play output will activate for 1/2 Second when the Music Channel is started and the Stop output will activate for 1/2 Second when the Music Channel stops.

OHLSON

JE33C

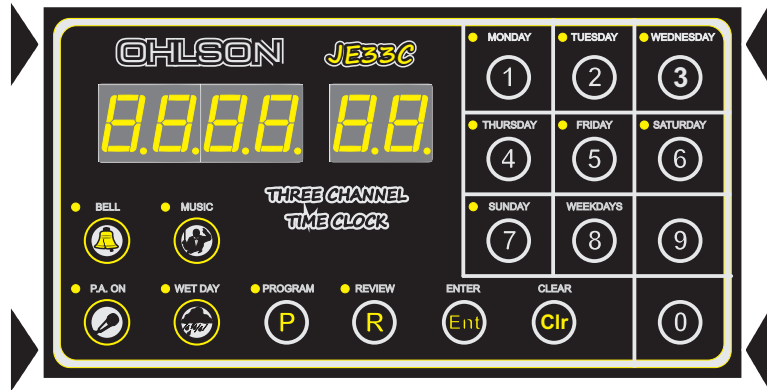
THREE CHANNEL TIME CLOCK

Installation Instructions

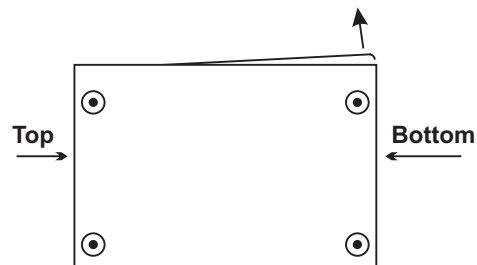
WARNING
TO PREVENT FIRE OR SHOCK HAZARD,
DO NOT EXPOSE THIS APPLIANCE TO
RAIN OR MOISTURE

Disassembly

1) Remove plastic sides by removing the 4 screws on each side.



2) Press in the top and bottom, while pulling the bottom of the front towards you.



3) The front should now come away exposing the internal P.C.B's.

Mounting

The JE33C is designed to be wall mounted with all cables entering the unit from inside the wall cavity.

Four 6.5mm holes are provided for wall mounting and one 25mm hole for cable entry.

